



V7-1V19E9



Actual product appearance may vary.

V7 Series Miniature Basic Switch, Single Pole Double Throw Circuitry, 21 A at 277 Vac, Pin Plunger Actuator, 2,21 N [7.9 oz] Maximum Operating Force, Silver Contacts, Quick Connect Termination

V7 Series Features

- World-wide package size acceptance
- Current rating ranges from 0.1 A to 25 A
- Wiping contact action
- Temperature range to 177 °C [350 ° F]
- Long mechanical life
- Elongated mounting holes for easier, more accurate mounting
- UL/CSA recognized, ENEC (European) approval available
- Choice of actuation, termination and operating characteristics

Potential Applications

- Appliances
- Vending machines
- Timing devices
- Office equipment
- Computer/business equipment
- Test instruments
- Medical/dental equipment
- Communications equipment
- HVAC equipment
- Manually operated devices
- Valves
- Gaming equipment
- Pressure switches

Description

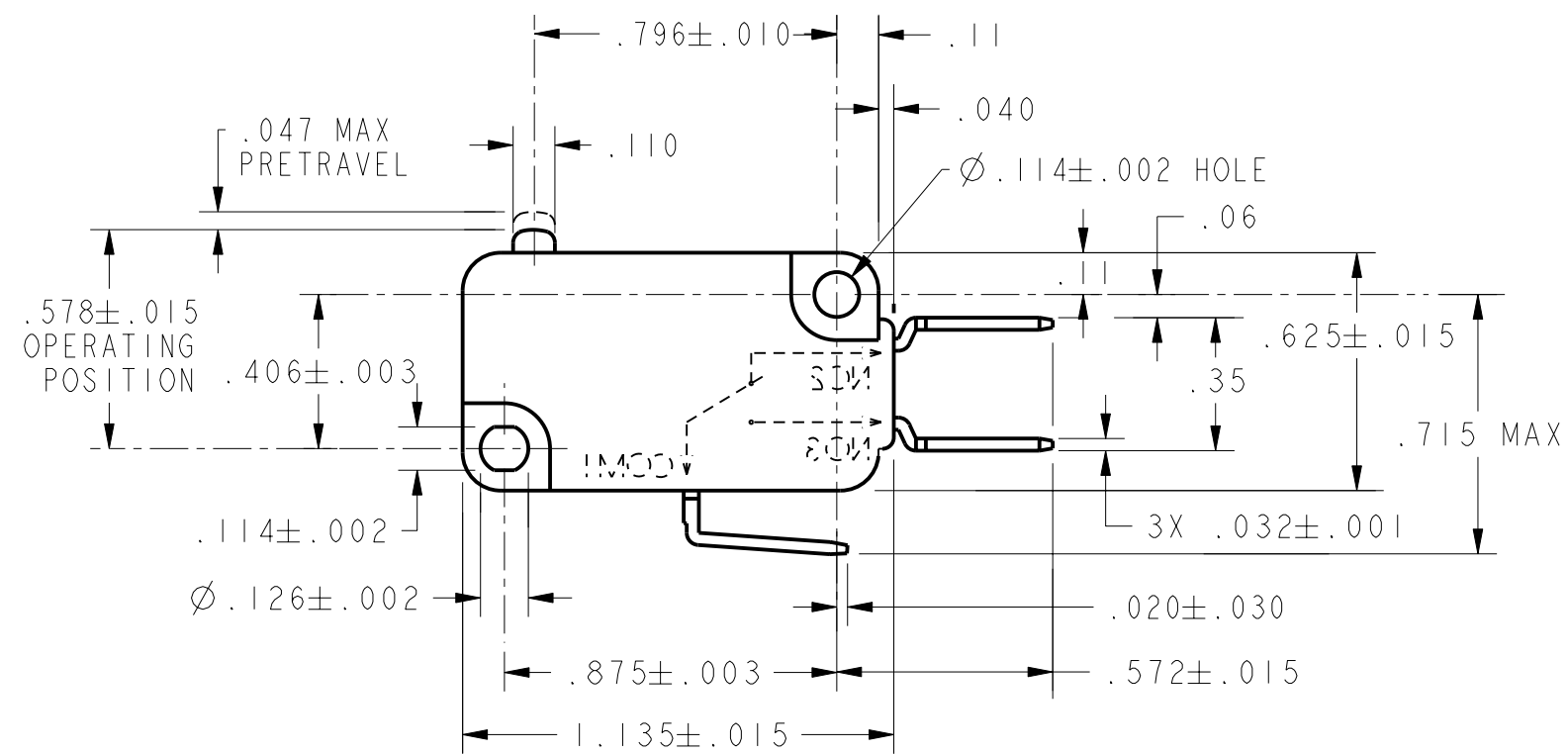
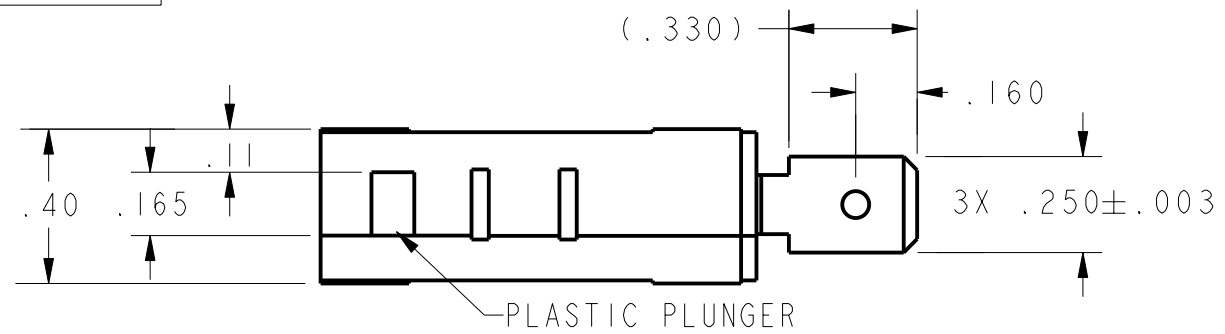
MICRO SWITCH™ V5 and V7 Series basic switches are used for simple or precision on/off, end of limit, presence/absence, pressure, temperature and manual operator interface application needs.

Product Specifications	
Switch Type	MICRO SWITCH™ Miniature 15,9 mm H x 10,2 mm W x 28,8 mm L [0.63 in H x 0.4 in W x 1.14 in L]
Sealed	No
Ampere Rating	21 A
Circuitry	Single Pole Double Throw (SPDT)
Actuator	Pin Plunger
Termination	Quick Connect
Operating Temperature Range	-40 °C to 82 °C [-40 °F to 180 °F]
Voltage	277 Vac
Approvals	CSA,UL,ENEC
Contact Type	Silver Cadmium Oxide
Operating Force (O.F.)	2,21 N [7.9 oz] max.

Release Force (R.F.)	0,20 N [0.71 oz] min.
Pretravel (P.T.)	1,19 mm [0.047 in] max.
Overtravel (O.T.)	1,27 mm [0.050 in] min.
Differential Travel (D.T.)	0,05 mm - 0,25 mm [0.002 in - 0.010 in]
Operating Position (O.P.)	14,7 ± 0,381 mm [0.578 ± 0.015 in]
Free Position (F.P.)	15,9 mm [0.625 in] max.
Housing Material	PCT PolyesterThermoplastic
High Temperature	85 °C [185 °F]
CE mark	61058-1
UL File #	E12252
CSA File #	LR41370
Agency Approvals and Standards	1054
Mounting Centers	22,2 mm [0.88 in]
Maximum Tightening Torque	0,56 N m [5.0 in lb]
Weight	8 g [0.3 oz]
Package Height	16 mm [0.63 in]
Package Width	10,2 mm [0.40 in]
Package Length	27,7 mm [1.09 in]
Availability	Global
UNSPSC Code	30211905
UNSPSC Commodity	30211905 Snap switches
Series Name	V7

CW-B8667

REV	DOCUMENT	CHANGED BY	CHECK
8	202161	TSM 19JAN01	SAV
9	202466	TSM 1 MAR 01	SAV
10	207439	TSM 13FEB03	SAV



CHARACTERISTICS	
OPERATING FORCE	----·175 GRAMS MAX
RELEASE FORCE	----- 20 GRAMS MIN
DIFFERENTIAL TRAVEL	---- .002-.010
OVERTRAVEL	----- .050 MIN
FREE POSITION	----- .625 MAX
RELEASE TRAVEL	----- .010 MIN

ELECTRICAL DATA	
CONTACT ARRANGEMENT S P D T	
21A 1HP 125, 250, 277 VAC 2HP 250, 277 VAC	

UNLESS OTHERWISE SPECIFIED TOLERANCES ARE:			
	<input checked="" type="checkbox"/> US (inch) CUSTOMARY	<input type="checkbox"/> SI (mm) METRIC	
NO PLACE	X	±.040	±1
ONE PLACE	.X	±.030	±0,4
TWO PLACE	.XX	±.015	±0,15
THREE PLACE	.XXX	±.005	±
ANGLES		±	±
RAW MATERIAL-COMMERCIAL STANDARD			
THIRD ANGLE PROJECTION			

DRAWN	TSM	19JAN01
CHECK	SAV	19JAN01
THIS DRAWING COVERS A PROPRIETARY ITEM AND IS THE PROPERTY OF HONEYWELL. THIS DRAWING IS NOT TO BE COPIED OR USED WITHOUT THE PERMISSION OF HONEYWELL.		
PTC 2D	ASME Y14.5M-1994	

Honeywell			
TITLE SWITCH, BASIC			
SIZE	DWG TYPE	DRAWING NAME	REV
B	I	V7-1V19E9	10
SCALE	2:1	WEIGHT	SHEET 1 OF 1